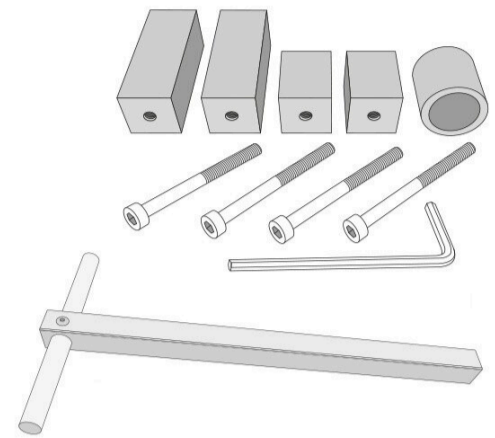


Replacement Components and Accessories

Here you will find accessories and interchangeable parts for the Multimotion Modular Joint. It is mainly spare parts for the articulated housing, but also alignment instruments for joint manufacturing.



| Item No. | Product Description | Size |
|-----------|----------------------------------------------------------|----------|
| 691670000 | MultiMotion Alignment T-Bar | One Size |
| 691930000 | MultiMotion Medium Bearing Ring 3.4mm | Medium |
| 691940000 | MultiMotion Large Bearing Ring 10.2mm | Large |
| 691840000 | MultiMotion Large Spacer Ring | Large |
| 691880000 | MultiMotion Force Output Indicator Disc | Large |
| 691900000 | MultiMotion Gear Wheel Assembly 10.2mm | Large |
| 691920000 | MultiMotion Flexion/Extension Stops, Set of 2 | Large |
| 691830000 | MultiMotion Medium Spacer Ring | Medium |
| 691870000 | MultiMotion Force Output Indicator Disc | Medium |
| 691890000 | MultiMotion Gear Wheel Assembly 3.4mm | Medium |
| 691910000 | MultiMotion Flexion/Extension Stops, Set of 2 | Medium |
| 691660000 | MultiMotion Alignment Kit | One Size |
| 699000000 | MultiMotion Screwdriver - 2.5mm | One Size |
| 691070000 | MultiMotion Corrective Upright Screws, Set of 4 | Regular |
| 691080000 | MultiMotion Corrective Upright Threaded Insert, Set of 4 | Regular |
| 692070000 | MultiMotion Corrective Upright Screws, Set of 4 | Small |
| 692080000 | MultiMotion Corrective Upright Threaded Insert, Set of 4 | Small |